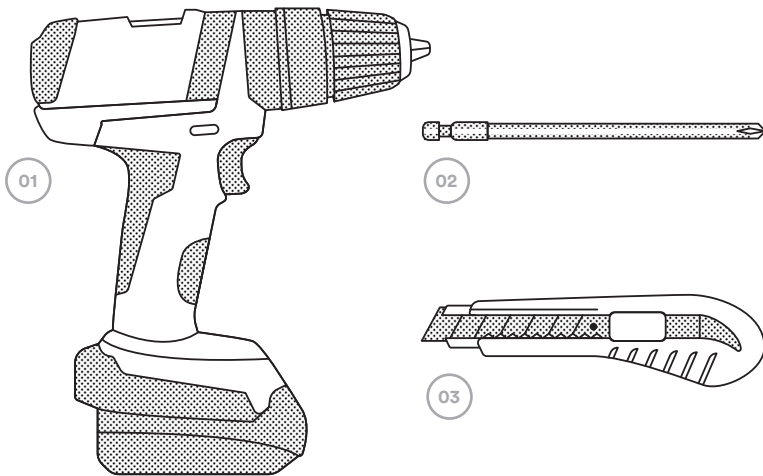


BEFORE YOU START

Find an open space on the floor where you can unpack and assemble your shutters, ideally in front of the window you're installing to. Make sure you have the tools you need and have located your hardware - look for the red marked box.

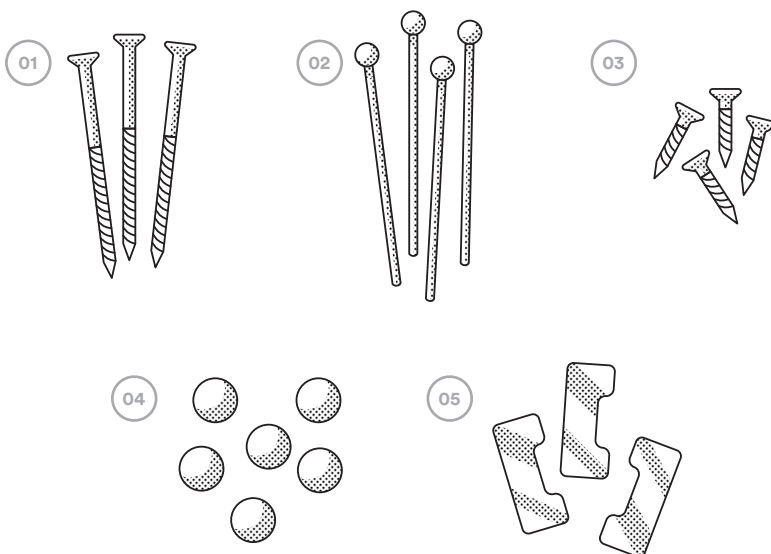
WHAT YOU'LL NEED

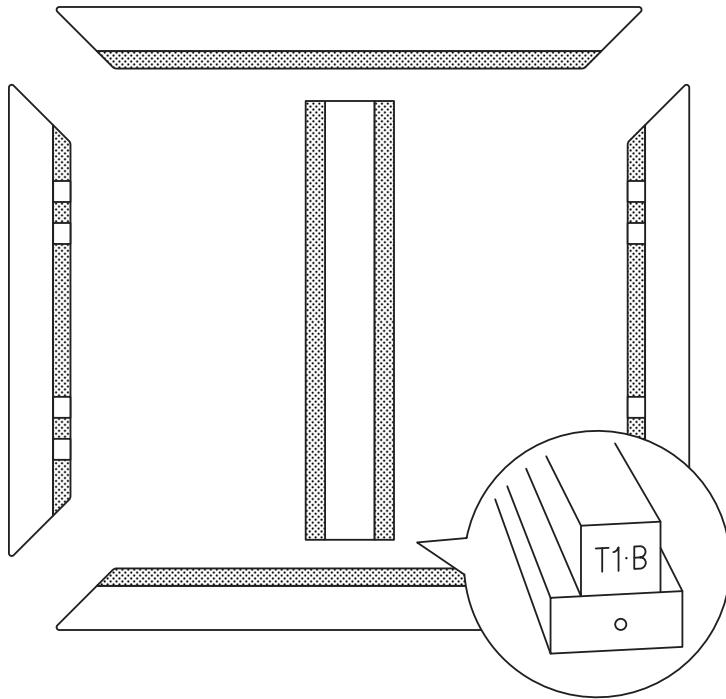
- 01 Cordless Drill
- 02 Phillips Head Screw Bit
- 03 Stanley Knife



PARTS INCLUDED

- 01 Mounting Screws
- 02 Hinge Pins
- 03 Locking Screws
- 04 Screw Caps
- 05 Hinge Packers

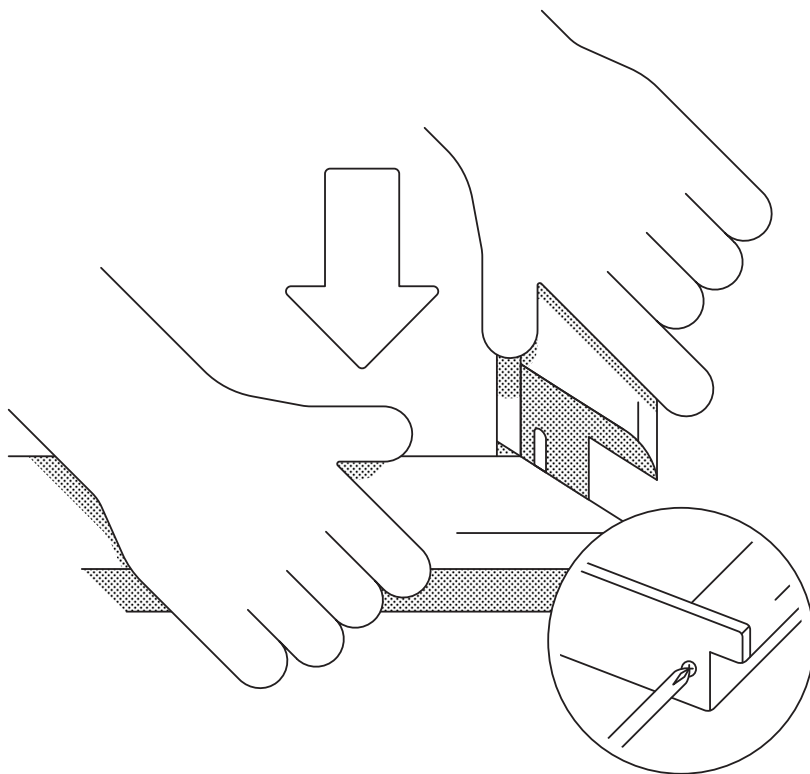




STEP 01

## LAYING OUT YOUR FRAME

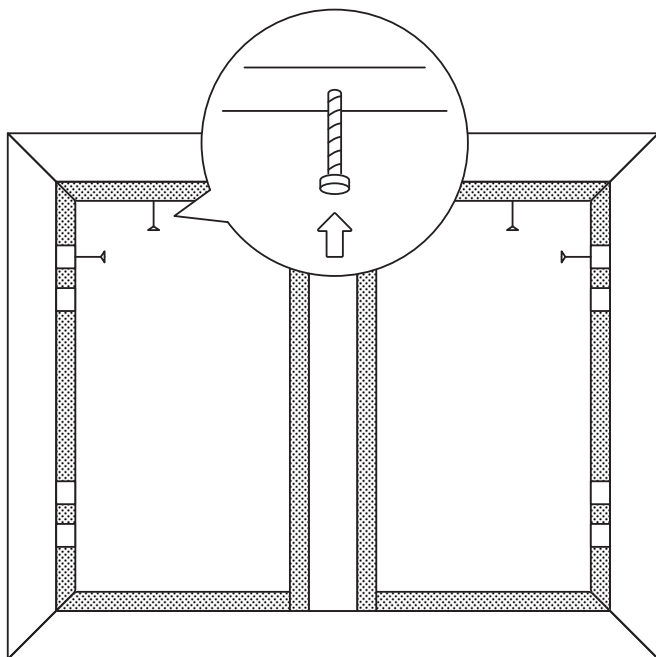
Start by opening your box carefully by cutting along the tape. The frame comes in four pieces marked left, right, top and bottom. Lay each component out, mirroring how you will lift the frame onto the window. If you're installing a T Post, look for the labels - T for top and B for Bottom.



STEP 02

## ASSEMBLING YOUR FRAME

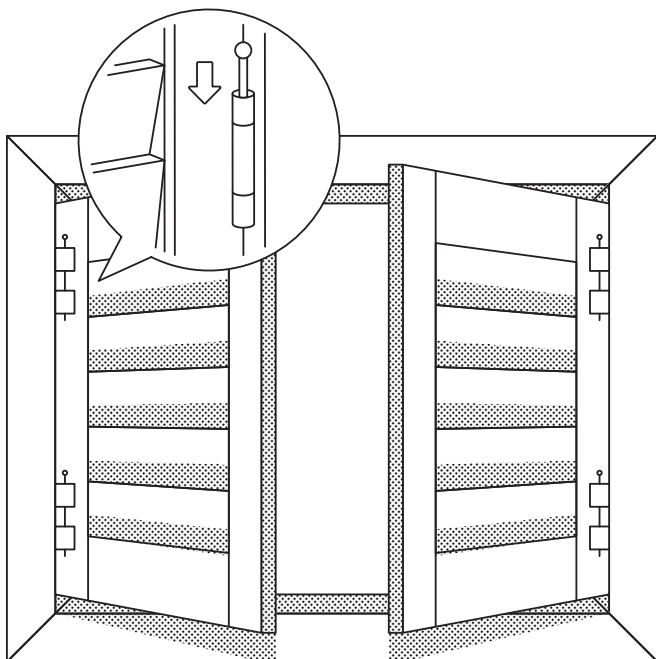
Assemble by slotting the corners together and pushing down firmly so the edges are flush. If you're installing a Z Frame with a sill, your bottom will need to be screwed in place. Screw the T Post in place using the existing holes.



STEP 03

**PUTTING THE FRAME IN PLACE**

Lift your assembled frame into the window, temporarily holding it in place. Use the pre-drilled mounting holes to screw in the top of the frame. Don't completely tighten the top left and right screws yet.



STEP 04

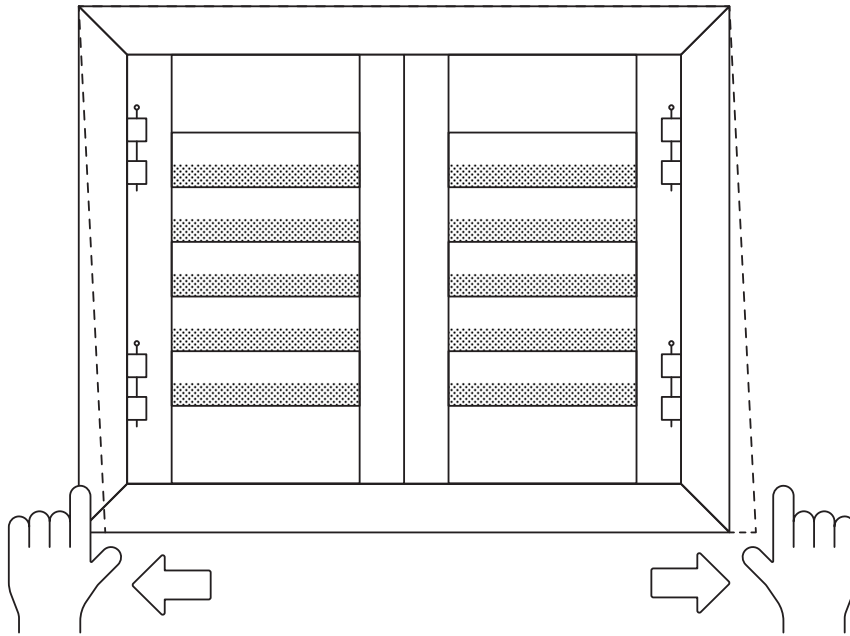
**INSTALLING YOUR SHUTTERS**

Attach the shutters to the frame using the hinges. Work left to right and lift your panels into place. Drop in the hinge pins to lock your shutters in place.

STEP 05

## ADJUSTING YOUR SHUTTERS

Adjust your shutters left and right to make sure they line up. Your shutters are rigid, but at this stage, your frame is not. You can flex your frame slightly to get your shutters to sit perfectly square. Fix the frame in place by tightening the screws and using the rest of the pre-drilled holes.



STEP 06

## FINISHING IT OFF

To make fine adjustments to a panel's position, loosen the hinge screws and slide in a hinge packer. You may also adjust the panel slightly up or down. When you're happy, screw in the locking screw. Finally, insert your screw caps.

